

## Direct Coupled Damper Actuator (Voltage Input Type) MY7040A

### General

The MY7040 direct coupled damper actuator is a motorized actuator to open and close dampers.

It provides proportional control in response to 2 to 10 V DC controllers such as WY7217 (ICC).

### Features

- Manual open/close function allows easy adjustment without power supply.
- Torque limit circuit enables motor to automatically stop in fully closed or open position.
- Lower power consumption.
- Large torque despite compact, light-weight design.
- Slide switch on cover allows easy adjustment of rotational direction.
- Simple configuration facilitates installation on most types of damper shafts.
- 2 to 10 V position feedback output available.



### Specifications

Item	Specifications
Model No.	MY7040A1001
Action	Proportional action
Input signal	2 to 10 V DC voltage input
Input voltage	100 k
Power supply	AC24V $\pm$ 20 %, 50/60 Hz
Power consumption	3W
Rotational angle	90° (mechanical limit 95°)
Timing	Approx. 100 to 200 sec (depends on load)
Torque at rated voltage	Min. 15 Nm
Ambient operating conditions	-20 to +50 °C, 95 %RH or less (non-condensing)
Protection	Dustproof, dripproof (IEC standard, equivalent to IP42) (This product is not water-proof and is for indoor use only.)
Insulation resistance	500 V DC, 100 M $\Omega$ or more between casing and cable
Dielectric strength	500 V AC between casing and cable, 1 mA or less for 1 min.
Cable	0.75 mm <sup>2</sup> , 5-core, approx. 1 m long
Body color	Blue

Item	Specifications
Weight	Approx. 1.5 kg
Applicable damper shaft	10 ~ 20, 10 ~ 16
Parts included	1. Universal bracket (1) 2. M4 tapping screw (2) 3. Vinyl cover for curing during work (1)
Auxiliary devices	Order separately 1. Power supply transformer AT72-J1 2. Auxiliary potentiometer QY9000A1014 3. Auxiliary switch (SPDT $\times$ 1) QY6031A1001 4. Auxiliary switch (SPDT $\times$ 2) QY6031B1001
Accessories	Order separately Mechanical stopper ZDB
Ordering information	1. Model No. 2. Whether transformer AT72-J1 is needed. 3. Auxiliary devices, if necessary. 4. Accessories, if necessary.

## Safety Instructions










---

Please read instructions carefully and use the product properly. Please keep this instruction on hand for reference at any time.

### Usage Restrictions

This product is targeted for general air conditioning. Do not use this product in a situation where human life may be affected. If this product is used in clean rooms or places where reliability or control accuracy is particularly required, please contact Yamatake's sales representatives. Yamatake Building Systems Co., Ltd. bears no responsibility for any benefit, or lack of benefit, derived from the operation by the customer.

### CAUTION

-  Installer must be a trained, experienced service technician.
-  Check the ratings given in this instructions to prevent equipment damage.
-  Check the environment given in this instructions to prevent equipment damage.
-  All wiring must comply with the applicable codes and ordinances.
-  Disconnect power supply before beginning wiring to prevent electrical shock.
-  Establish a proper ground. Improper ground may result in malfunction.
-  Use crimp contacts with insulation jackets for wire terminals.
-  Check for loose wiring. Loose wiring may result in malfunction.
-  Do not disassemble the casing except for wiring or parts replacement. May result in equipment damage.

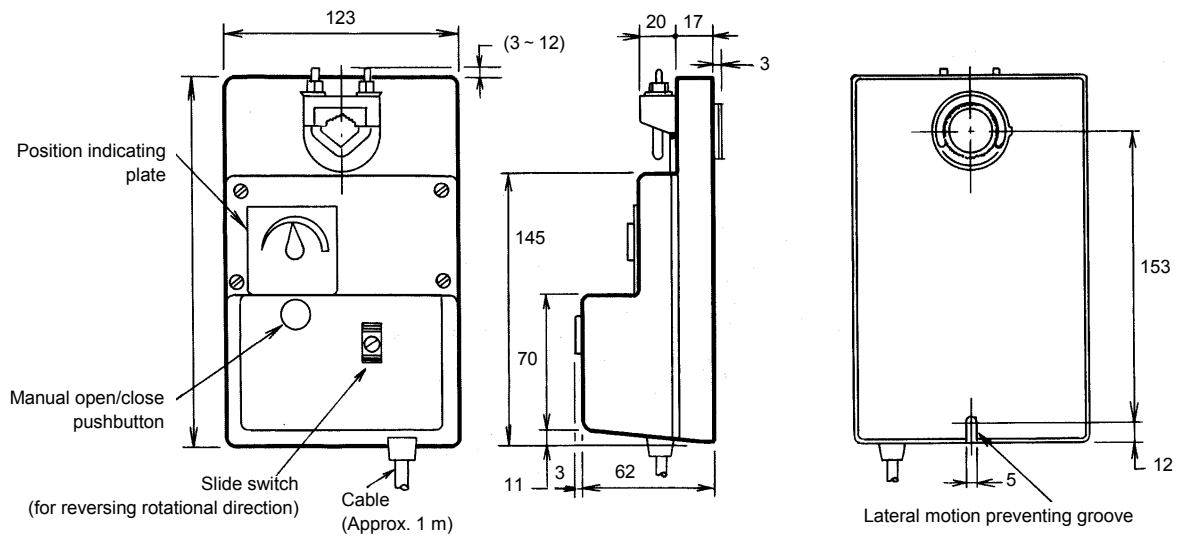


Fig.1 Dimensions (mm)

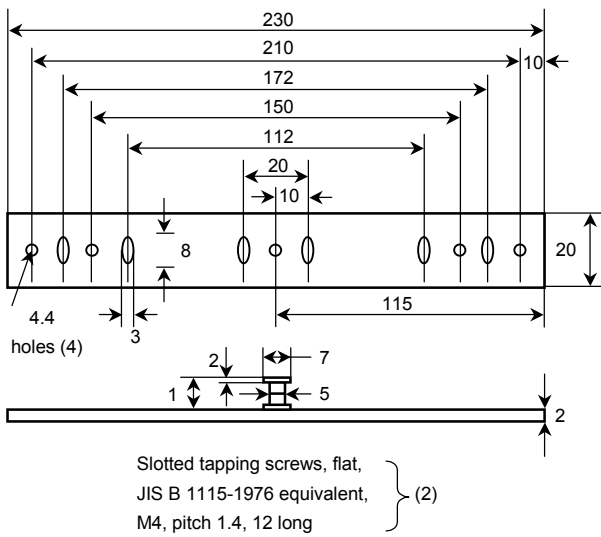


Fig.2 Universal bracket (mm)

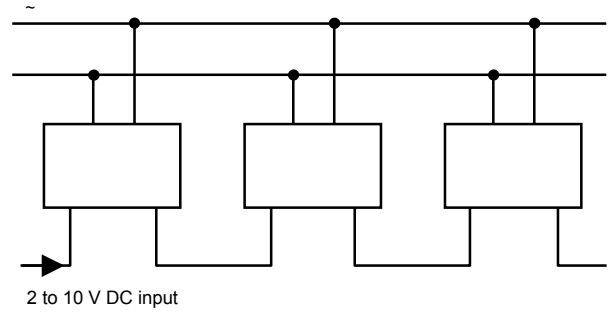
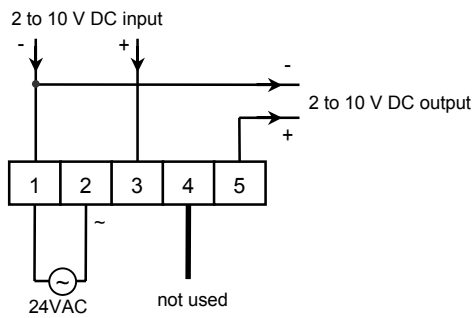


Fig.4 Parallel action wiring of MY7040A



- \* Cable 1 is power supply, system common line
- \* Insulate unused cable terminals.

Fig.3 Wiring

*Specifications are subject to change without notice.*

**YAMATAKE**

---

**Yamatake Corporation**  
**Building Systems Company**  
**International Business Headquarters**

Totate International Building  
1-12-19, Shibuya  
Shibuya-Ku, Tokyo, 150-8316  
URL:<http://www.yamatake.com>

Rev.1.0 Dec. 2000

Printed in Japan. AS-729E 0.5H-H (W)