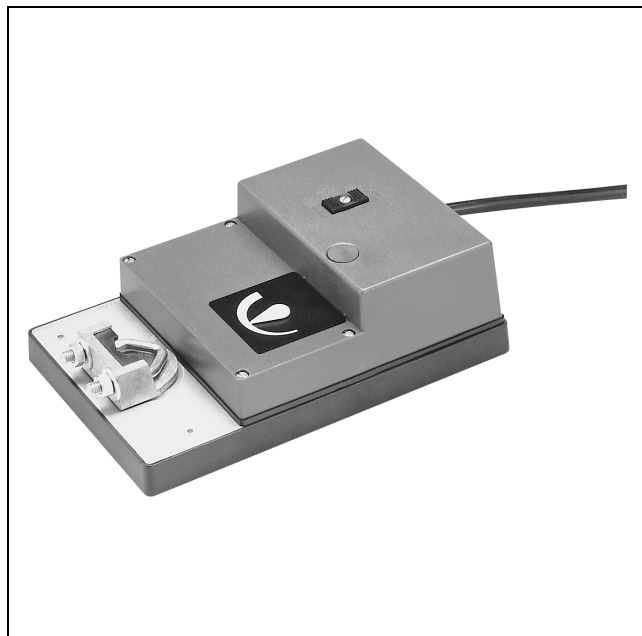


Direct-drive Damper Actuator MY9040A

MY9040A direct-drive damper actuator is a motorized actuator for operation of dampers. It contains a feedback potentiometer and combined with a device that produces a nominal 135 Ω variable output such as a T9065 electric proportional controller, it provides proportional control.

Features

- Manual open/close function allows easy adjustment without power supply.
- Torque limit circuit enables the motor to automatically stop in the fully closed or open position.
- Low power consumption.
- Large torque despite compact, lightweight design.
- Slide switch on cover allows easy adjustment of rotational direction.
- Simple configuration facilitates installation on most types of damper shafts.
- Optional auxiliary devices offer a variety of applications.



Specification

Item	Specifications
Model No.	MY9040A1001
Action	Proportional action (nominal 135 Ω variable input)
Power supply	24V AC \pm 20 %, 50/60 Hz
Power consumption	2W
Rotational angle	95° (mechanical limit)
Timing	Approx. 100 to 200 seconds (depending on load)
Torque at rated voltage	15 Nm or more
Ambient operating conditions	- 20 ° to + 50 °C, 95 % RH or less (non-condensing)
Protection	Dustproof, drip-proof (IEC standard, IP42 equivalent) (This product is not water-proof and is for indoor use only.)
Cable	0.75 mm ² , five-core, approx. 1 m long
Body color	Blue
Weight	Approx. 1.4 kg

Item	Specifications
Applicable damper shaft	ϕ 10 to ϕ 20, \square 10 to \square 16
Parts included	1. Universal bracket (1) 2. M4 tapping screws (2) 3. Vinyl cover for curing during work (1) } See Fig. 2.
Auxiliary devices (order separately)	1. Power transformer AT72-J1 2. Auxiliary potentiometer QY9000A1014 3. Auxiliary switch (APDT \times 1) QY6031A1001 4. Auxiliary switch (SPDT \times 2) QY6031B1001
Accessories (order separately)	1. Mechanical stopper ZDB
Ordering information	1. Model No. 2. Whether transformer AT72-J1 is needed. 3. Auxiliary devices, if necessary 4. Accessories, if necessary

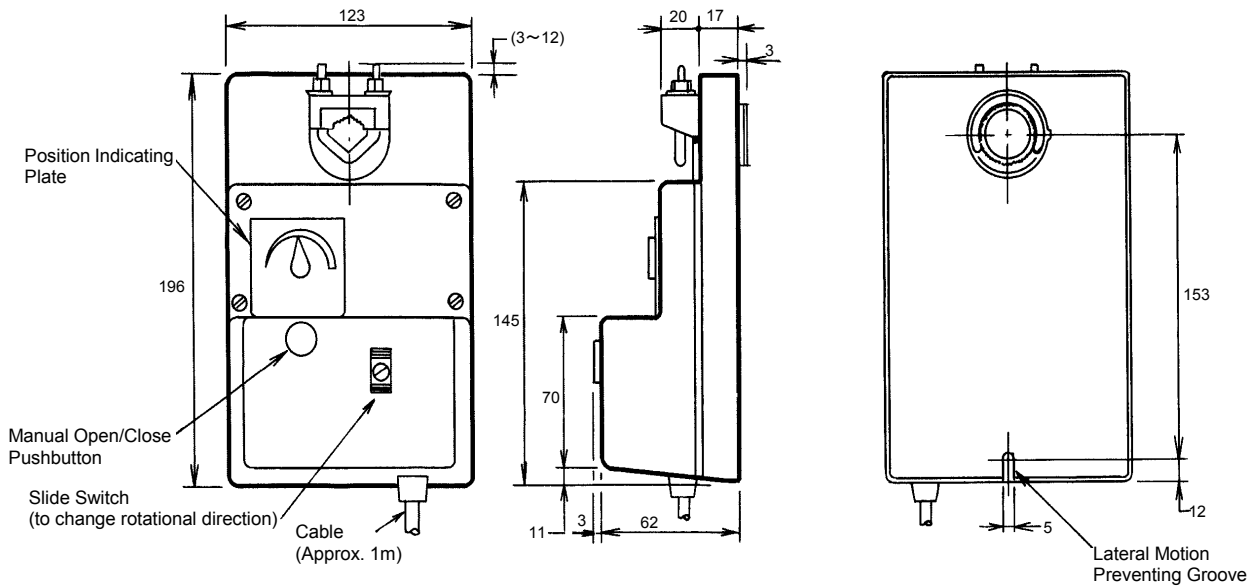


Fig. 1 Dimensions in mm of MY9040A

Safety Instructions

Please read instructions carefully and use the product properly. Please keep this instruction on hand for reference at any time.

Usage Restrictions

This product is targeted for general air conditioning. Do not use this product in a situation where human life may be affected. If this product is used in clean rooms or places where reliability or control accuracy is particularly required, please contact Yamatake's sales representatives. Yamatake Building Systems Co., Ltd. bears no responsibility for any benefit, or lack of benefit, derived from the operation by the customer.

⚠ CAUTION

- ❗ • Installer must be a trained, experienced service technician.
- ❗ • Check the ratings given in this instruction to prevent equipment damage.
- ❗ • Check the environment given in this instruction to prevent equipment damage.

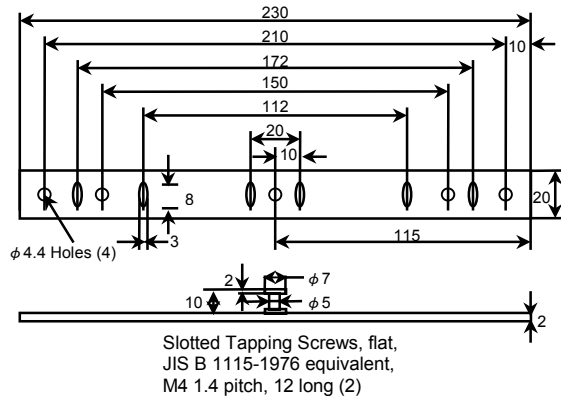
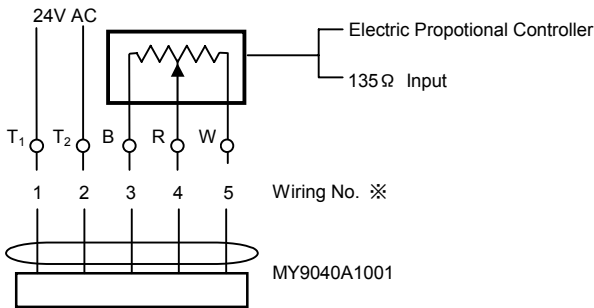
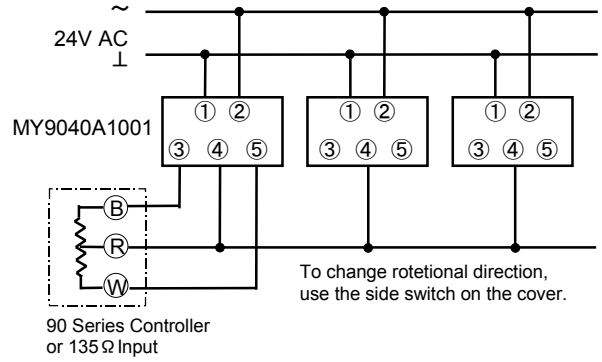


Fig. 2 Universal Bracket (mm)



* Wiring No. is printed in white on the black coating of each leadwire.

Fig. 3 Wiring



Up to 10 MY9040As can be connected in parallel. Note that different loads may lead to different timings, making it hard to synchronize the devices.

- NOTE 1): Be sure to follow the wiring connections shown in the figure above. The connection of terminals 3 and 5 of the second and subsequent actuators will result in large rotational angle errors.
- 2): To changeover by slide switch, loosen and then tighten after confirming changeover. Do not over-loosen; switch will not changeover.

Specifications are subjects to change without notice.

YAMATAKE

Yamatake Building Systems Co., Ltd.

**Yamatake Corporation
International Business Division**

Totate International Bldg.
2-12-19, Shibuya, Shibuya-Ku
Tokyo, 150-8316, Japan
Phone: 81-3-3486-2350
Facsimile: 81-3-3486-2592

Rev.1.1 Dec. 2000

Printed in Japan. AS-677E 0.5H-H (W)